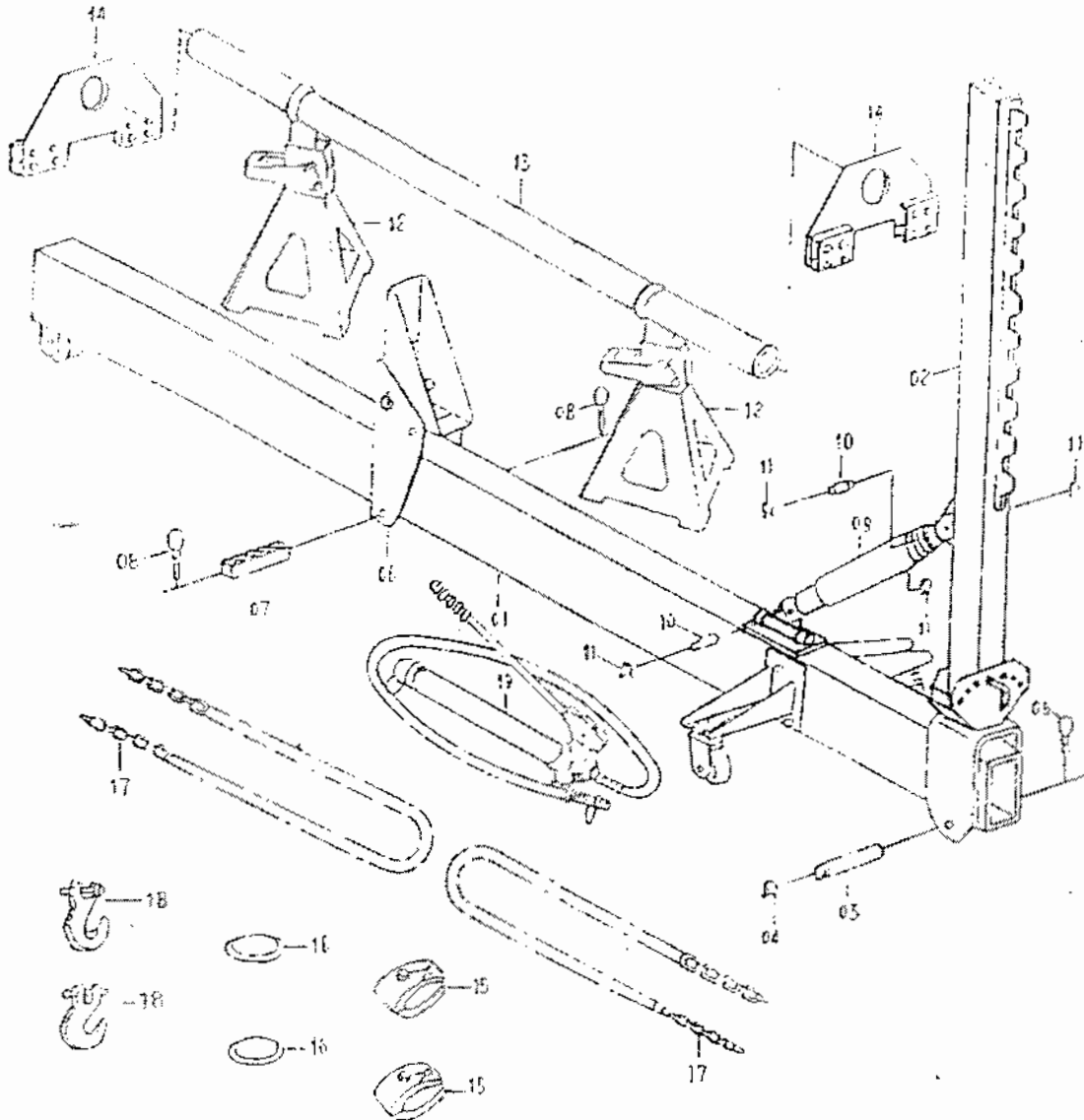


FRAME STRAIGHTENER 10 TON

10851

SHEET METAL STRAIGHTENER ASSEMBLY



PART'S LIST

PARTS NO	DESCRIPTION	QTY
01	MAIN BEAM	1
02	POST	1
03	SPINDLE	1
04	SNAP RING "C"	1
05	PIN	1
06	WAL TI-POSITION ANCHOR POST	1
07	STOP BLOCK	1
08	PIN	2
09	10 TON RAM	1

PARTS NO	DESCRIPTION	QTY
10	SPINDLE	2
11	SNAP RING "C"	4
12	SUPPORT STAND	2
13	CROSS TUBE	1
14	UNDERBODY SUPPORT CLAMPS	2
15	PULL CLAMPS	2
16	PULL RING	2
17	7' x 3/8" CHAIN	2
18	3/8" HOOK	2
19	10 TON HYDRAULIC	1