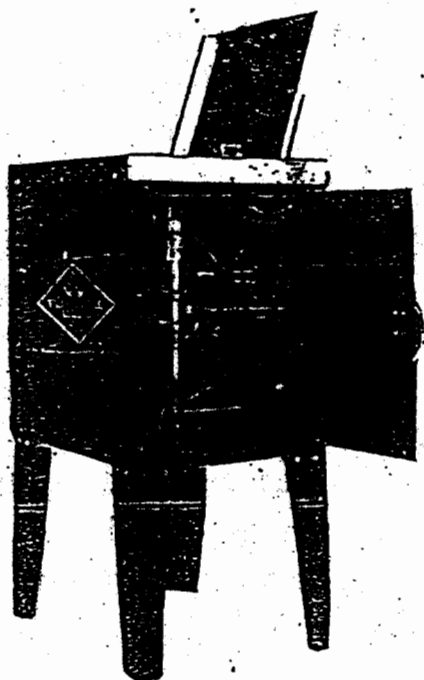


# AIR-POWERED GUN WASHER/RECYCLER



#39770

MODEL:39770

## (A) INSTALLATION:

- 1) The Gun Washer/Recycler should be placed in the shop's paint mixing room.
- 2) An air line should be available. A busy shop will find it convenient to maintain a permanent air line to the Gun Washer/Recycler.

## (B) FULLY PREPARED BEFORE OPERATIONS:

- 1) After making sure that the ball valve at the bottom of the cabinet is in the closed position, pour up to 5 gallons of paint thinner into the cabinet.

Notes: The level of the paint thinner must be at least one inch above the filter in the lower portion of the cabinet. A high quality, slow evaporating thinner, such as DUPOINT'S 3661S or equivalent is recommended. (For ease in draining sludge, a half gallon of water can be poured into draining cabinet; the water will settle directly to the bottom of the cabinet because water is heavier than thinner.)

- 2) Connect the air line into the pump.
- 3) The use of a regulator is recommended to assure that the pump does not receive more than 75PSI.
- 4) As with all air-operated equipment, an in-line oiler and air filter will help extend the life of the pump.
- 5) Open the pump valve and allow the pump to cycle slowly for two minutes to purge the liquid used in testing the pump at the factory.
- 6) All pressure gauges must be removed before placing painting equipment in the Gun Washer/Recycler.

### 7) Different usages:

#### a. Siphon Feed Guns

Place the gun in the Gun Washer/Recycler, setting the siphon stem over the shorter gun support.

#### b. Pressure Feed Guns (2Qt. Capacity)

Place the gun in the Gun Washer/Recycler, setting the siphon stem of the pot cover over the shorter gun support and positioning the gun and hoses on the screen platform.

8) Close the lid of the Gun Washer/Recycler, spray will operate within the cabinet to clean the inside and outside of the guns, cups, and other paint utensils in 30-45 seconds. Operation should not exceed 60 seconds.

**(C) OPERATIONAL INSTRUCTIONS:**

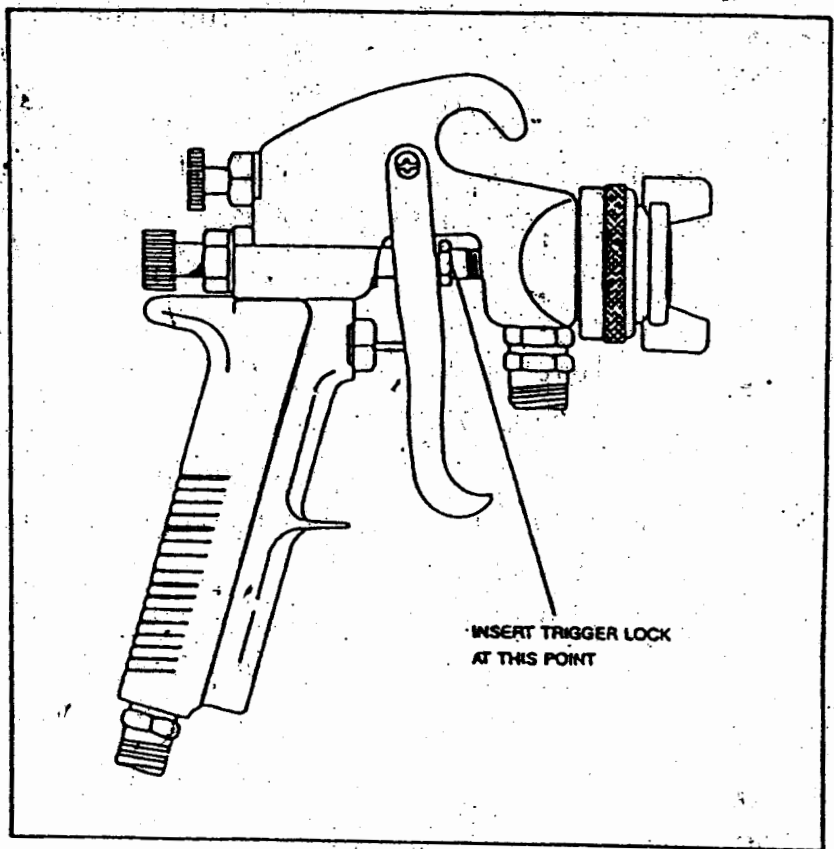
1) The dual manifold of the Gun Washer/Recycler is fitted with the shorter support for siphon feed and pressure feed guns of up to 2Qt. capacity which are fitted with siphon tube intakes.

\* All pressure gauges should be removed.

2) On completion of a painting operation, separate the cup from the spray gun and pour the excess paint into the shop's paint container. Thinner will last longer if paint cups and pots are thoroughly emptied before being placed in the Gun Washer/Recycler.

3) Open the lid of the Gun Washer/Recycler and place the paint cup on the screen platform over one of the front nozzles in the manifold.

4) Lift out a plastic trigger lock, allowing it to hang outside of the Gun Washer/Recycler, close lid, lock the gun trigger in the open position by inserting the narrow tip of the trigger lock between the trigger and



the gun housing, as indicated in the drawing on right. If there is no place to insert the trigger lock, the chain can be wrapped around the trigger and handle to hold the trigger in an open position.

5) After cleaning the Gun Washer/recycler, open the lid cover, the airline will be stopped automatically.

#### (D) MAINTENANCE:

1) Draining off sludge:

a. If water is not used:

At least once per week, drain off 1/2 gallon of liquid from the bottom of the Gun Washer/Recycler, this is your disposable waste. Add thinner to bring the liquid level to at least one inch above the filter in the lower portion of the cabinet.

b. If water is used:

Drain off one gallon of liquid from the bottom of the Gun Washer/Recycler in two ways:

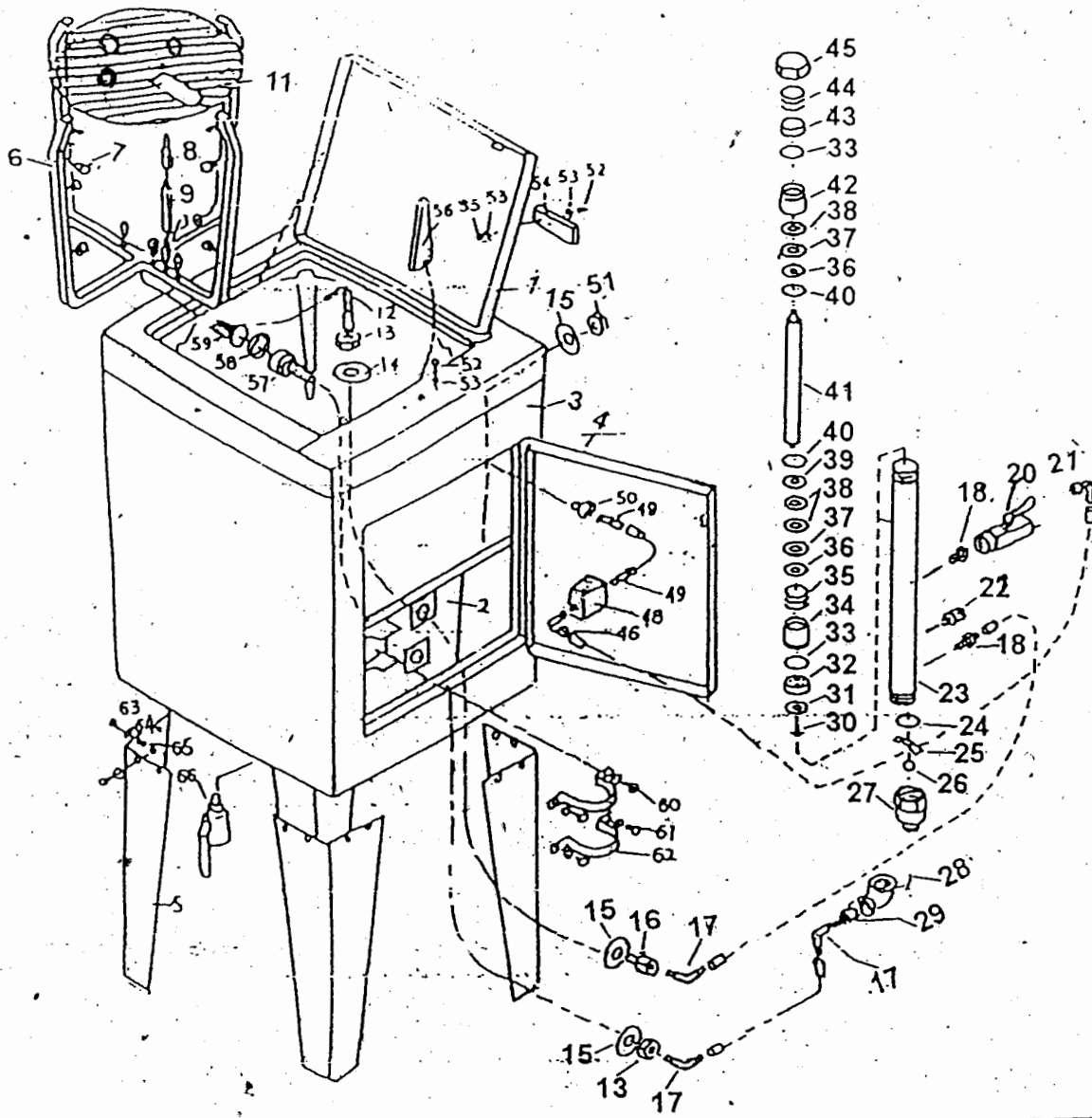
b1) place an empty can under the Gun Washer/Recycler, open the valve and drain off the water. When the water starts to discolor, close the valve and set that can aside.

b2) Using another can, open the valve and drain off the paint sludge: this is your disposable waste. The water removed in step one may then be poured back into the Gun Washer/Recycler. Add thinner to bring the liquid level to at least one inch above the filter in the lower portion of the cabinet.

2) Thinner should be changed completely when it is no longer thoroughly cleaning the painting equipment. Thinner will usually be good for 2 to 8 weeks, depending on usage of the Gun Washer/Recycler.

3) Before refilling, wipe the inside of the cabinet with a cloth or brush to remove any built-up paint residue film.

4) Once every day disconnect the air line and insert two drops of a good air tool oil into the air intake of the pump (if an in-line oiler is not being used).



Item	Description	Item	Description	Item	Description
1	LID COVER	24	GASKET	46	ANGLE
2	TANK	25	BALL STOPPER	48	AUTO STOP SWITCH
3	FRAME	26	TEFLON BALL	49	CONNECTOR
4	DOOR	27	BODY	50	CONNECTOR
5	STAND,	28	ELBOW	51	HEX NUT
6	PIPE	29	CONNECTOR	52	SCREW
7	NOZZLE	30	SCREW	53	WASHER
8	LONG NOZZLE	31	WASHER	54	SWITCH PLATE
9	EXTENTION BAR	32	PISTON	55	HEX NUT
10	EXTENTION BAR	33	O - RING	56	CHAIN+PLASTIC TRIGGER LOCK
11	SCREEN PLATFORM	34	GLAND	57	CONNECTOR
12	ANGLE CONNECTOR	35	SPRING	58	HOSE CLAMP
13	HEX NUT	36	WASHER	59	STRAINER
14	WASHER	37	TEFLON WASHER	60	SCREW
15	WASHER	38	TEFLON WASHER	61	WASHER
16	CONNECTOR	39	BRASS WASHER	62	CYLINDER HOLDER
17	ANGLE CONNECTOR	40	RETAINING RING	63	SCREW
18	CONNECTOR	41	ROD ASS Y	64	WASHER
20	REGULATOR WITH GUAGE	42	GLAND	65	HEX NUT
21	ANGLE CONNECTOR	43	PISTON ASS Y	66	BALL VALVE
22	BLASTER	44	SPRING		
23	CYLINDER	45	CAP		