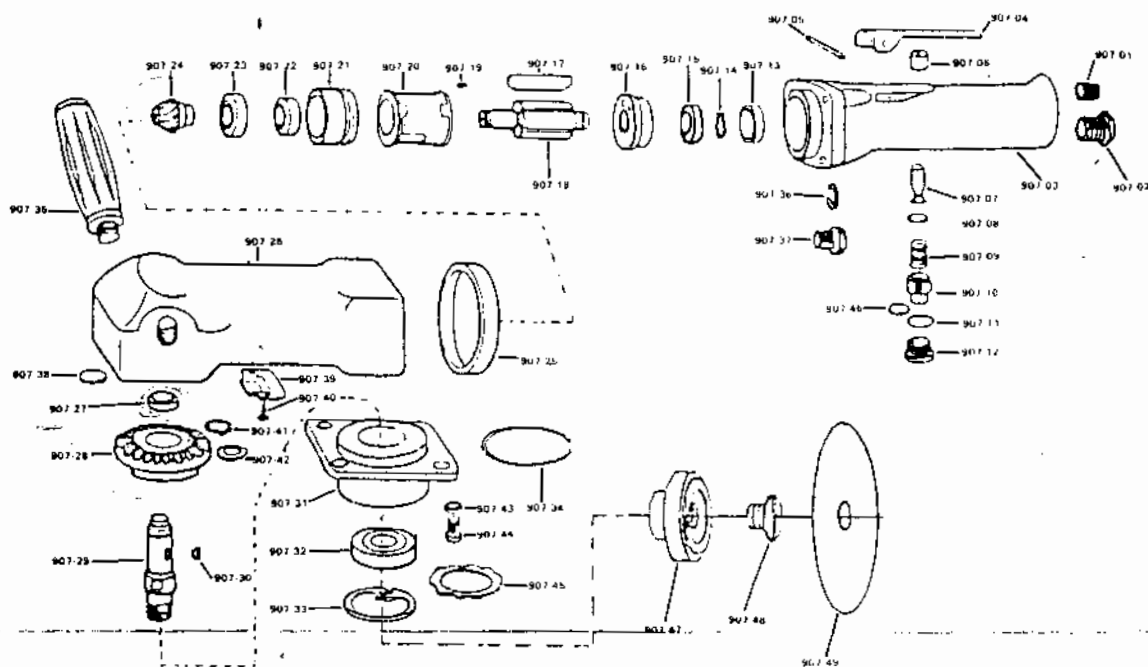


7" Angle Sander PARTS LIST 623



SPECIFICATIONS

OVERALL LENGTH 16" (406mm)
 NET WEIGHT 6½LBS. (2.9KG)
 AIR INLET SIZE (NPTF) ¼" (6.4mm)
 RECOMMENDED HOSE SIZE (ID) ⅜"

SPINDLE THREAD SIZE ⅝"-11THD
 PAD SIZE 7" (178mm)
 AIR CONSUMPTION 12 CFM
 FREE SPEED 4500RPM
 SOUND LEVEL (DBA) 85

Part No.	Description	Q'ty. Req.
907-01	Plug	1
907-02	Air Inlet	1
907-03	Valve Body	1
907-04	Lever	1
907-05	Lever Pin	1
907-06	Valve Bushing	1
907-07	Valve Stem	1
907-08	"O" Ring	1
907-09	Valve Spring	1
907-10	Air Controller	1
907-11	"O" Ring	1
907-12	Valve Screw	1
907-13	Rear Bearing Cap	1
907-14	Retaining Ring	1
907-15	Bearing	1
907-16	Rear End Plate	1
907-17	Rotor Blade	4
907-18	Rotor	1
907-19	Cylinder Pin	1
907-20	Cylinder	1
907-21	Front End Plate	1
907-22	Bearing	1
907-23	Bearing	1
907-24	Pinion	1
907-25	Housing Band	1

Part No.	Description	Q'ty. Req.
907-26	Motor Housing	1
907-27	Bearing	1
907-28	Bevel Gear	1
907-29	Spindle	1
907-30	Woodruf Key	1
907-31	Housing Cap	1
907-32	Bearing	1
907-33	Retaining Ring	1
907-34	"O" Ring	1
907-35	Handle	1
907-36	Washer Spring	4
907-37	Cap Screw	1
907-38	Bearing Plate	1
907-39	Exhaust Deflector	1
907-40	Exhaust Deflector Screw	2
907-41	Retaining Ring	1
907-42	Wave Washer	1
907-43	Spring Washer	4
907-44	Screw	4
907-45	Wave Washer	1
907-46	"O" Ring	1
907-47	Adapter	1
907-48	Locknut	1
907-49	7" Sanding Pad	1