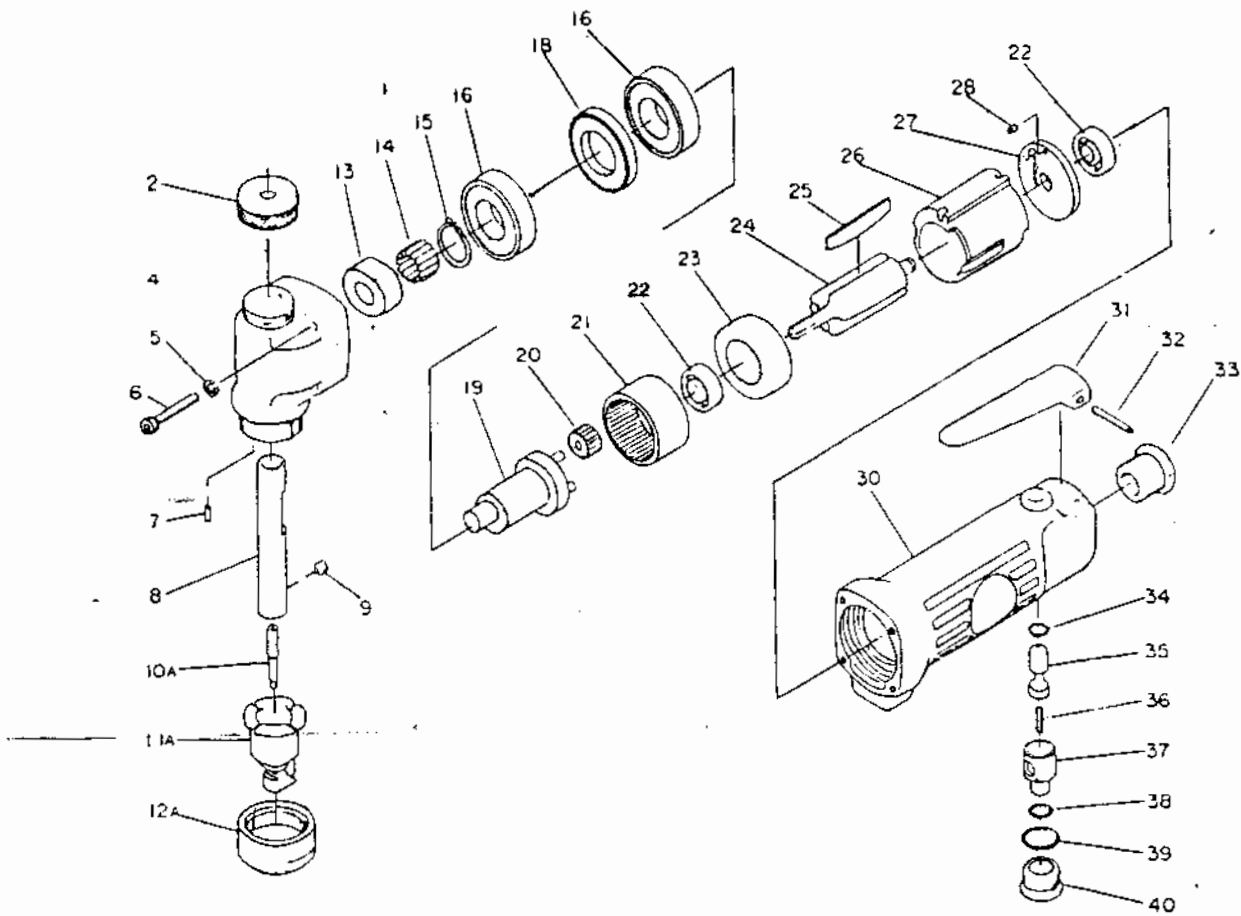


# AIR NIBBLER



INDEX NO.	PARTS NO.	DESCRIPTION	Q'TY Tool	INDEX NO.	PARTS NO.	DESCRIPTION	Q'TY Tool
				21	73207B	Internal Gear	1
2	90034	Head Cap	1	22	729012	Ball Bearing	2
4	90036	Head	1	23	732076	Front End Plate	1
5	729342	Washer	4	24	732508	Rotor	1
6	731919	Screw	4	25	732074	Rotor Blade	4
7	900037	Pin	1	26	732075	Cylinder	1
8	900038	Slide pin	1	27	732507	Rear End Plate	1
9	900039	Set Screw	1	28	732072	Pin	1
10A	900291	Punch <i>PUNCH</i>	1	30	900050	Motor Housing	1
11A	900292	Dies	1	31	731260	Throttle Lever	1
12A	900293	Lock nut	1	32	731259	Lever Pin	1
13	900043	Cam	1	33	729162	Inlet Bushing	1
14	900044	Needle Roller	13	34	1012370	O-Ring	1
15	900045	Retaining Ring	1	35	729259	Valve Stem	1
16	900046	Ball Bearing	2	36	729258	Valve Spring	1
				37	729282	Air Regulator	1
18	900048	Spacer	1	38	729088	O-Ring	1
19	900049	Crank Shaft	1	39	729263	O-Ring	1
20	732079	Idler Gear	3	40	729262	Throttle Valve Plug	1