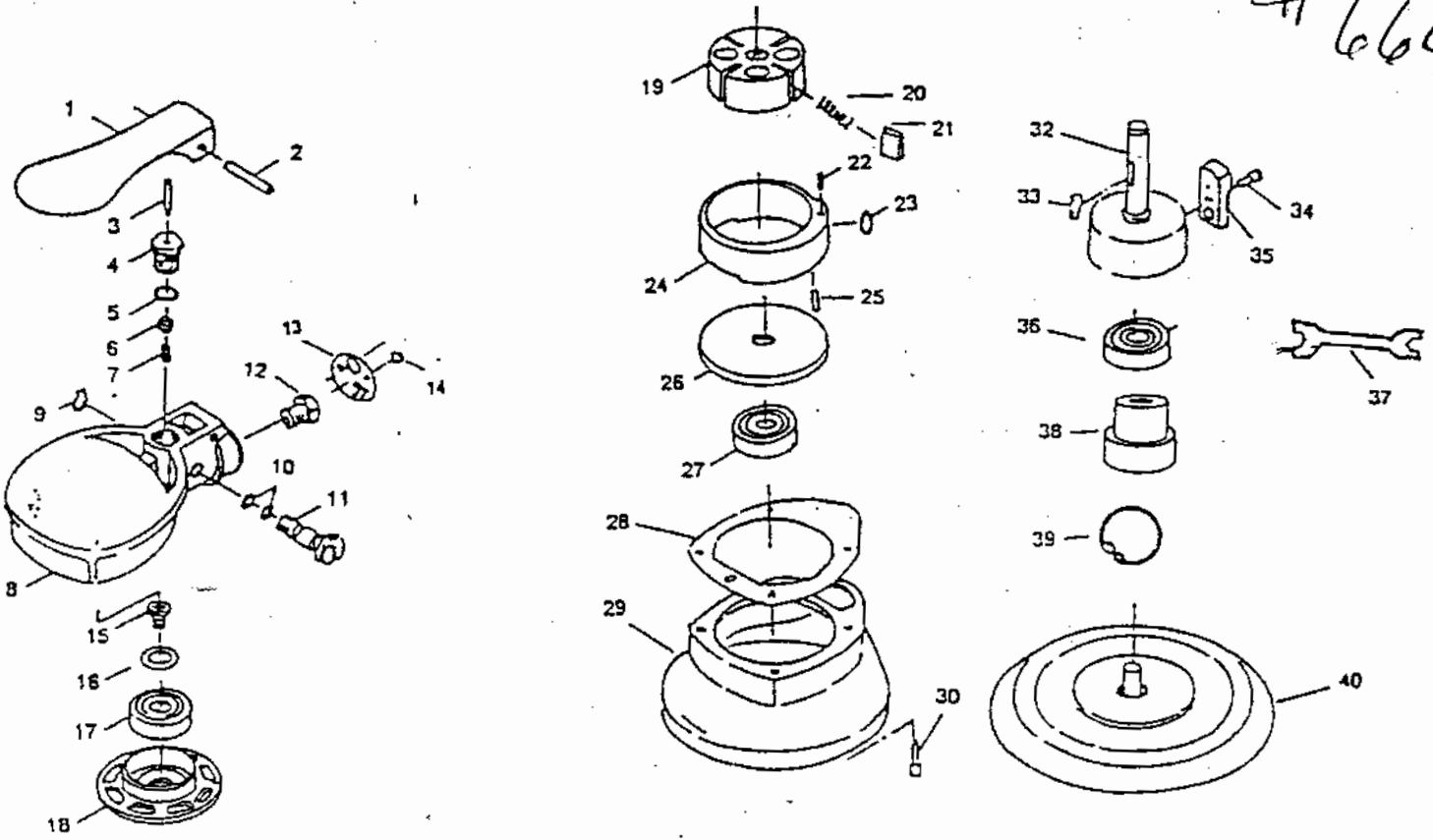


#664



Free Speed(rpm) 6000 Air Inlet(inch) 1/4" Hose Size(inch) 3/8" Air Press(psi) 90 Air Cons(ctm) 5-7 Weight(KG) 1 Pad Size(inch) 5"-6"

Ref	Parts No.	Description	Q'ty	Ref	Parts No.	Description	Q'ty
1		Throttle Lever	1	21		Vane	4
2		Lever Pin	1	22		Cylinder Pin	1
3		Valve Pin	1	23		Cylinder 'O' Ring	1
4		Valve Body	1	24		Cylinder	1
5		'O' Ring	1	25		Cylinder Pin	1
6		Throttle Valve	1	26		Rear Plate	1
7		Valve Spring	1	27		Ball Bearing	1
8		Motor Housing	1	28		Motor Gasket	1
9		Retaining Ring	1	29		Pad Cover	1
10		'O' Ring	2	30		Cap Screw	4
11		Regulator	1				
12		Hose Adapter	1	32		Crank Shaft	1
				33		Key	1
13		Deflector	1	34		Screw	1
14		Deflector Screw	2	35		Lower Weight	1
15		Screw	1	36		Ball Bearing	1
16		Conic Washer	1	37		Bar Wrench	1
17		Ball Bearing	1	38		Random Shaft	1
18		Front Plate	1	39		Retaining Ring	1
19		Rotor	1	40		Rubber Pad	1
20		Vane Spring	4				