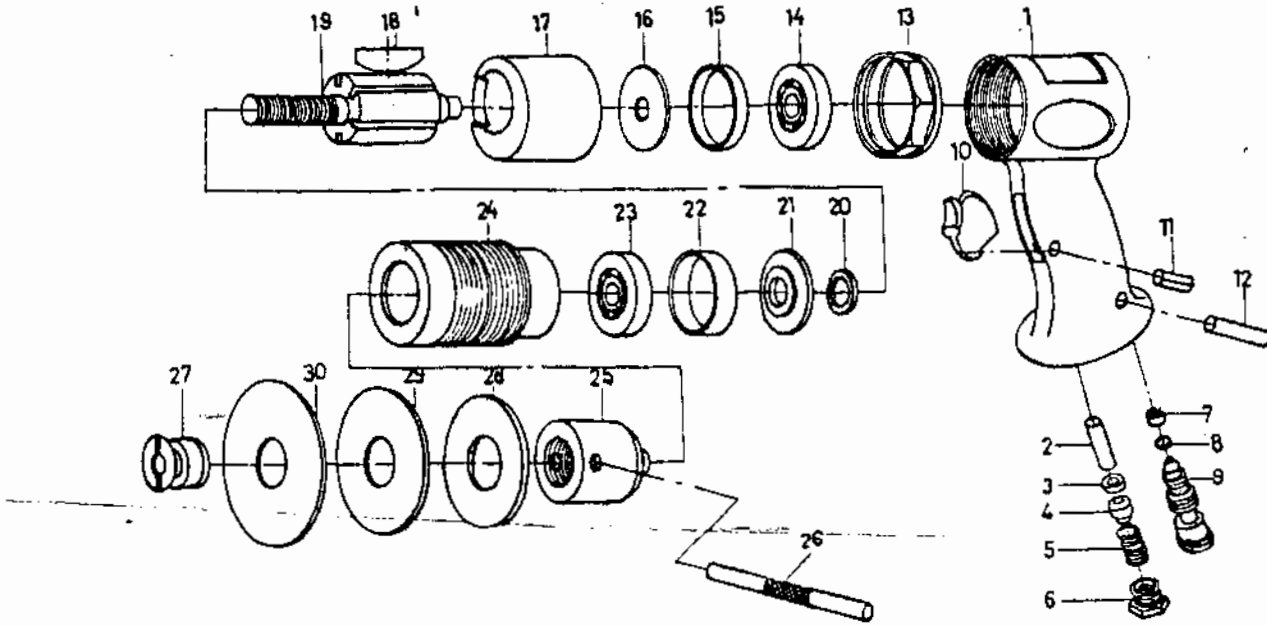


AIR SANDER



Ref. No.	Part No.	Description	Q'ty
1	822001	Body	1
2	822002	Control Pin	1
3	822003	Rubber Gaskst	1
4	822004	Ball	1
5	822005	Spring	1
6	822006	Hose Joint	1
7	822007	Rubber Gasket	1
8	822008	O-Ring	1
9	822009	Regulator	1
10	822010	Trigger	1
11	822011	Pin	1
12	822012	Pin	1
13	822013	Housing Lock Ring	1
14	822014	Bearing	1
15	822015	Spacer	1

Ref. No.	Part No.	Description	Q'ty
16	822016	Rear End Plate	1
17	822017	Cylinder	1
18	822018	Vanes	4
19	822019	Rotor	1
20	822020	Bushing-Front End	1
21	822021	Front End Plate	1
22	822022	Spacer	1
23	822023	Bearing	1
24	822024	Cylinder Housing	1
25	822025	Sanding Adapter	1
26	822026	Holding Tool	1
27	822027	Adaptor Lock Down	1
28	822028	Backing 3" Plate	1
29	822029	Backing 4-1/2" Plate	1
30	822030	Backing 5-1/2" Plate	1