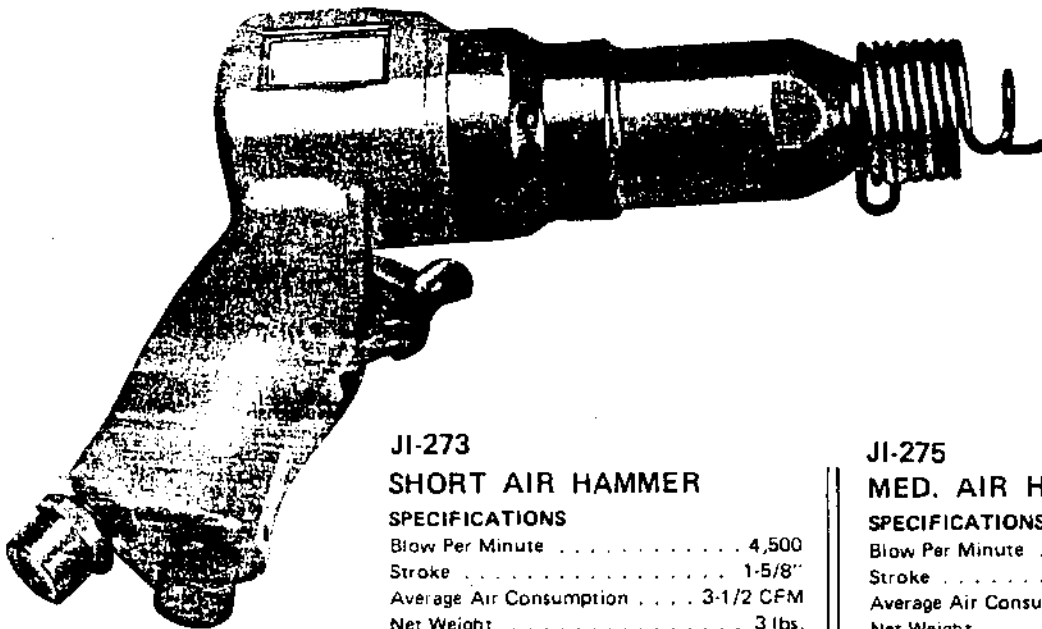


AIR HAMMER

STOCK NO.
675



JI-273 SHORT AIR HAMMER

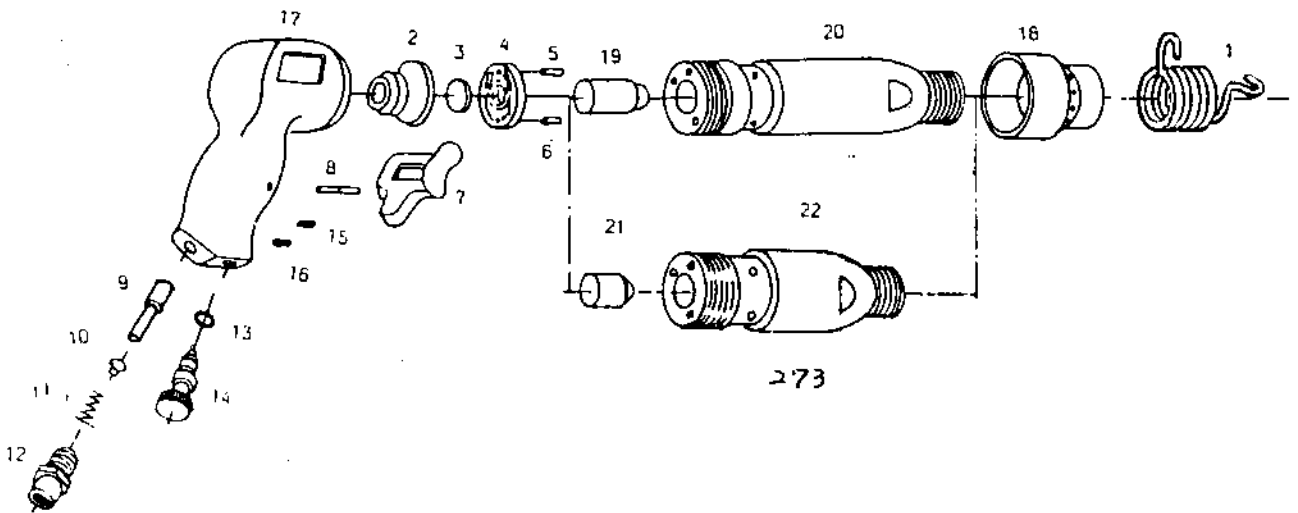
SPECIFICATIONS

Blow Per Minute 4,500
Stroke 1-5/8"
Average Air Consumption 3-1/2 CFM
Net Weight 3 lbs.
Overall Length 5-1/4"
Shank Opening 0.401"

JI-275 MED. AIR HAMMER

SPECIFICATIONS

Blow Per Minute 3,000
Stroke 2-5/8"
Average Air Consumption 4 CFM
Net Weight 3-1/2 lbs.
Overall Length 6-3/4"
Shank Opening 0.401"



Index No.	Description	No. Req'd	Index No.	Description	No. Req'd
1	Retainer Spring	1	12	Throttle Cap	1
2	Upper Valve Seat	1	13	"O" Ring	1
3	Valve Disk	1	14	Regulator	1
4	Lower Valve Seal	1	15	Screw	1
5	Dowel Pin (L)	1	16	Screw	1
6	Dowel Pin (M)	1	17	Handle	1
7	Trigger	1	18	Exhaust Deflector	1
8	Dowel Pin	1	19	Piston(M)	1
9	Valve Stem	1	20	Cylinder (M)	1
10	Valve Ball	1	21	Piston(S)	1
11	Spring-Throttle	1	22	Cylinder(S)	1