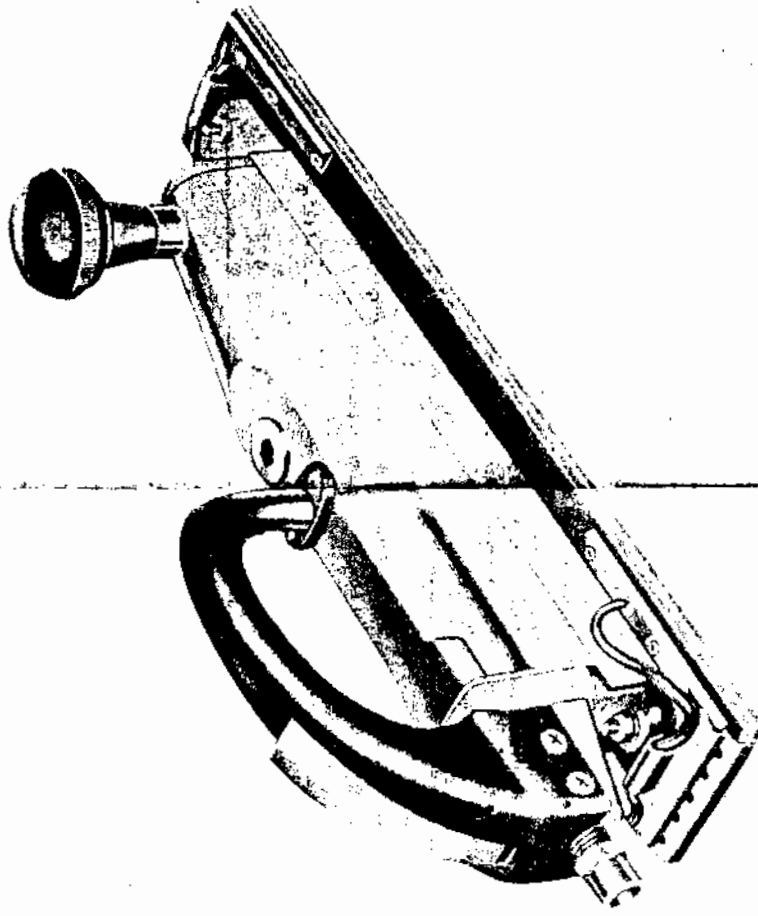
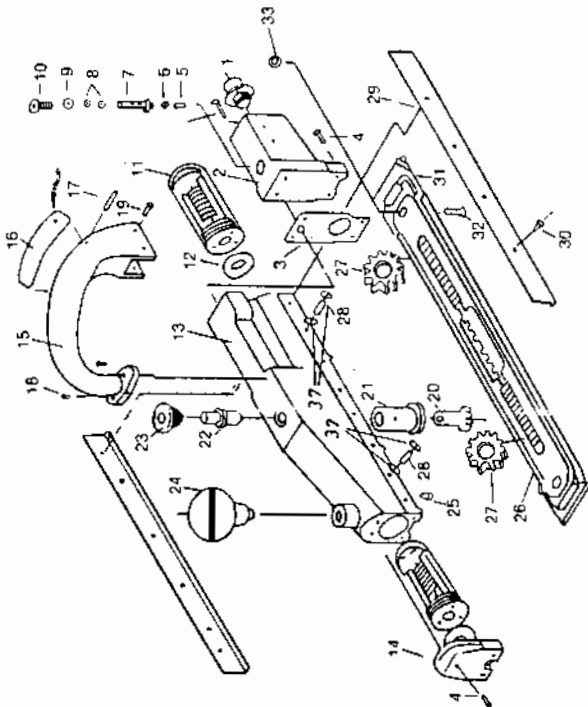


# DUAL PISTON FILE SANDER



DUAL PISTON FILE / SANDER



REF. NO.	PART NO.	DESCRIPTION	QTY.
1	561601	Hose Adapter	1
2	561602	Rear Head	1
3	561603	Pinning	1
4	561604	Socket Cap Scr.	7
5	561605	Socket Scr.	1
6	561606	"O" Ring	1
7	561607	Switch Control Bgt.	1
8	561608	"O" Ring	2
9	561609	"O" Ring	1
10	561610	Valve	1
11	561611	Rear Piston	2
12	561612	Piston Pin	2
13	561613	Body Assembly	1
14	561614	Front Head	1
15	561615	Handle	1
16	561616	Trigger	1
17	561617	Roll Pin	1
18	561618	Phillips Rd. Hd. Scr.	2
19	561619	Flat Headle Scr.	4
20	561620	Actuator Gear	1
21	561621	Actuator Valve	1
22	561622	Adj. Shaft	1
23	561623	Plunger	1
24	561624	Knob Assembly	1
25	561625	Wear Button	8
26	561626	Carrier	1
27	561627	Gear	1
28	561628	Shaft	2
29	561629	Side Strep	2
30	561630	Phillips Rd. Hd. Scr.	8
31	561631	Pad Assembly	4
32	561632	Phillips Rd. Hd. Scr.	2
33	561633	Hex. Nut	2
34		Bearing	2