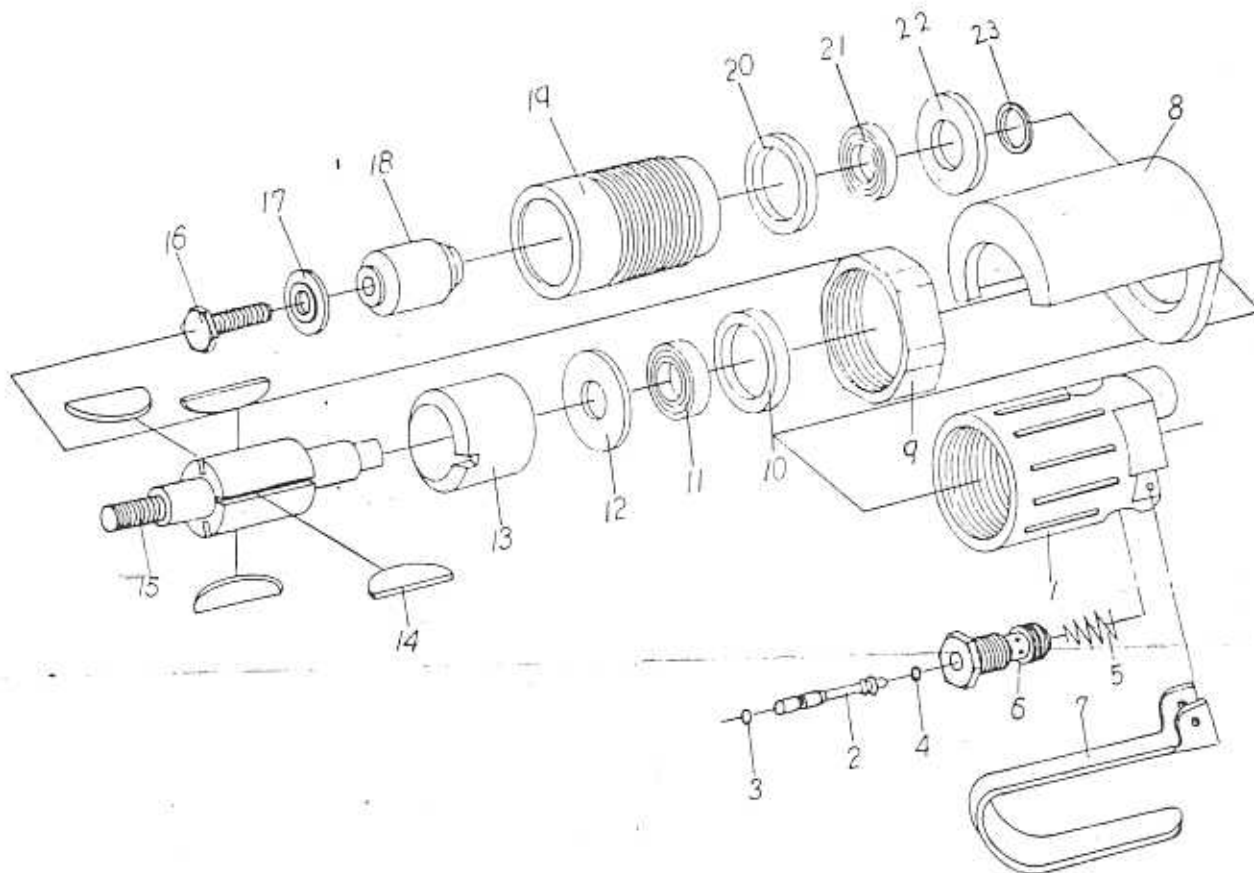


UTILITY CUT-OFF TOOL

STOCK NO.
680



| Item No. | Part No. | Description | No. Req'd | Item No. | Part No. | Description | No. Req'd |
|----------|-------------|-------------------|-----------|----------|-------------|-------------------|-----------|
| 1 | T-0268-1-01 | Body | 1 | 13 | T-0265-3-22 | Cylinder | 1 |
| 2 | T-0268-0-03 | Valve Stem | 1 | 14 | T-0265-3-23 | Vanes | 4 |
| 3 | T-0265-1-13 | "O" Ring | 1 | 15 | T-0268-3-12 | Rotor | 1 |
| 4 | T-0271-0-10 | "O" Ring | 1 | 16 | T-0268-0-11 | Screw | 1 |
| 5 | T-0272-0-03 | Valve Stem Spring | 1 | 17 | T-0268-0-10 | Washer | 1 |
| 6 | T-0268-0-04 | Throttle | 1 | 18 | T-0268-0-09 | Disc Retainer | 1 |
| 7 | T-0268-0-05 | Trigger | 1 | 19 | T-0265-3-21 | Cylinder Housing | 1 |
| 8 | T-0268-2-06 | Guard | 1 | 20 | T-0265-3-29 | Bushing Front End | 1 |
| 9 | T-0265-3-20 | Housing Lock Ring | 1 | 21 | T-0265-3-27 | Bearing | 1 |
| 10 | T-0265-3-29 | Bushing Front End | 1 | 22 | T-0265-3-25 | Rear End Plate | 1 |
| 11 | T-0265-3-27 | Bearing | 1 | 23 | T-0265-3-28 | Spacer | 1 |
| 12 | T-0265-3-26 | Front End Plate | 1 | 24 | | | |