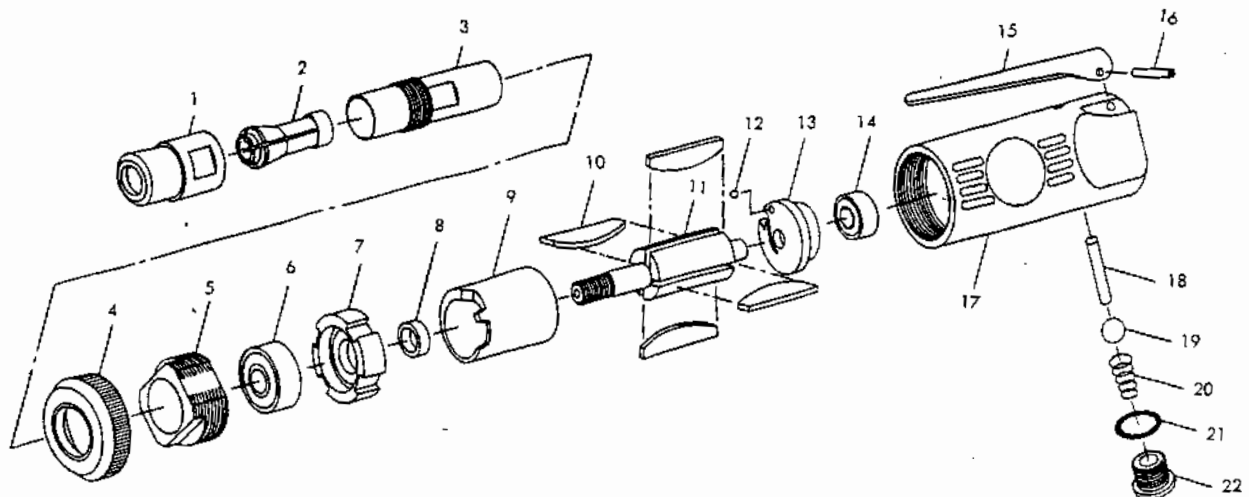


1/4" Die Grinder



PARTS NO.	DESCRIPTION	QTY	PARTS NO.	DESCRIPTION	QTY
CH601-01	COLLET NUT	1	CH601-12	STEEL BALL	1
CH601-02	COLLET	1	CH601-13	REAR PLATE	1
CH601-03	SPINDLE	1	CH601-14	BALL BEARING	1
CH601-04	HOUSING CAP	1	CH601-15	LEVER	1
CH601-05	RETAINING RING	1	CH601-16	PIN	1
CH601-06	BALL BEARING	1	CH601-17	HOUSING	1
CH601-07	FRONT PLATE	1	CH601-18	VALVE PIN	1
CH601-08	BEARING SPACER	1	CH601-19	VALVE BALL	1
CH601-09	CYLINDER	1	CH601-20	SPRING	1
CH601-10	ROTOR BLADE	4	CH601-21	O-RING	1
CH601-11	ROTOR	1	CH601-22	VALVE SCREW	1